

AESCULAP®

Maintenance and care of the

German Red Clipper and its blades



AESCULAP[®]

Maintenance and care of the

German Red Clipper and its blades

BLADE SYSTEM

One of the reasons for the superior cutting power of the German Red Clipper is its unique blade system: The pressure on the top blade can be adjusted according to the type of coat.

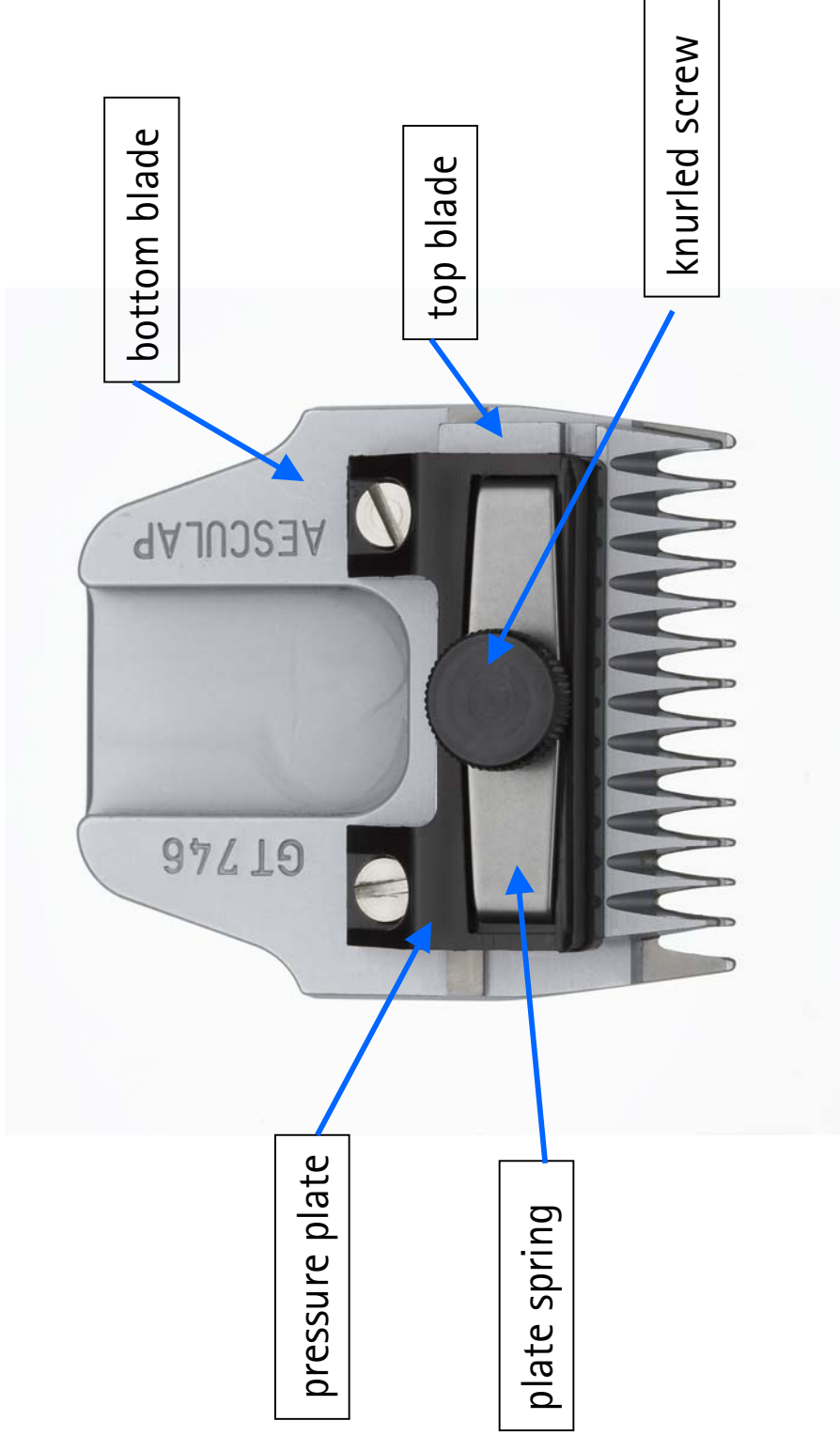
If the cutting quality is decreasing you can temporarily improve the efficiency by increasing the pressure, thus you can use the German Red Clipper blades longer.

**PLEASE TAKE THE TIME TO LEARN ABOUT THE PROPER
ADJUSTMENT OF THE BLADES AS DESCRIBED IN THE
NEXT 3 PAGES!**

AESCULAP®

Maintenance and care of the

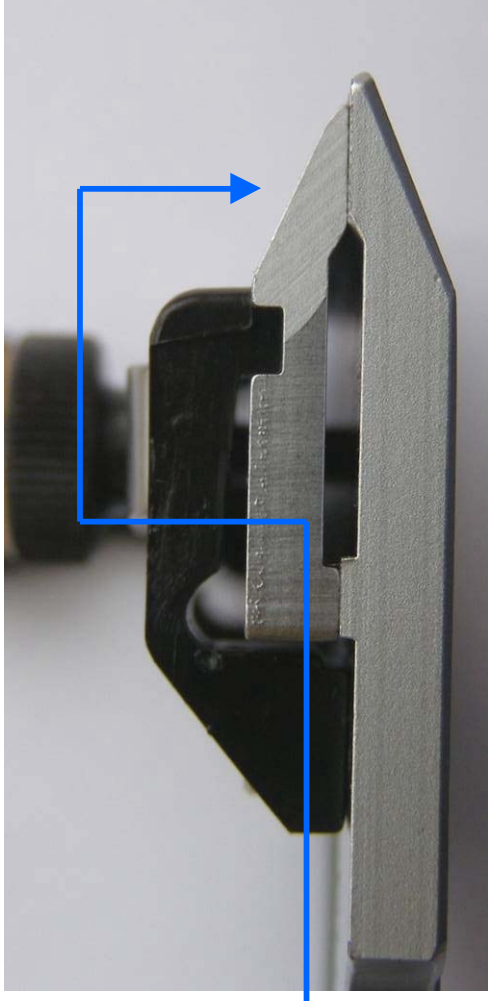
German Red Clipper and its blades



It is important that all components of the cutterhead are in good working order to ensure efficient cutting!

AESCULAP®

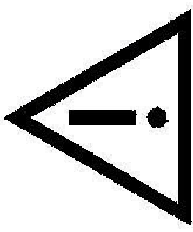
Maintenance and care of the German Red Clipper and its blades



Thanks to the knurled screw the pressure onto the top blade can be regulated according to the type of coat.

If the cutting quality is decreasing you can temporarily improve efficiency by increasing the pressure. However this means that the blade has to be sharpened as soon as possible.

German Red Clipper and its blades



Cutterhead tension – please read carefully!

- 1) It is of utmost importance that cutterheads are correctly tensioned before use. Tension can be checked by sliding the top blade along the bottom from each side of the cutterhead: If it moves easily, it will be too loose and cannot perform correctly or will cut a strip and stop working.
- 2) To set the blade correctly, adjust the centre knurled screw down clockwise until it is difficult to slide the top blade along the bottom: It should feel tight to slide the top blade across. Now test on the underside of a dog for smooth cutting. If it pulls or snags, adjust the screw down another quarter of a turn and the head will be set for work. It is extremely important that this is done before use!
- 3) If you do use a cutterhead too loose and it stops working, you cannot simply adjust the screw as hair will have entered the cutting faces. If this happens, unscrew the tension screw, slide out the top blade and clean off the hair from the cutting faces, then re-set as per the instructions above.
- 4) To keep your machine and cutterheads working at maximum efficiency, it is most important that you oil your cutterheads regularly when they are in use and you clean, dry and oil them before putting them away at the end of the day.

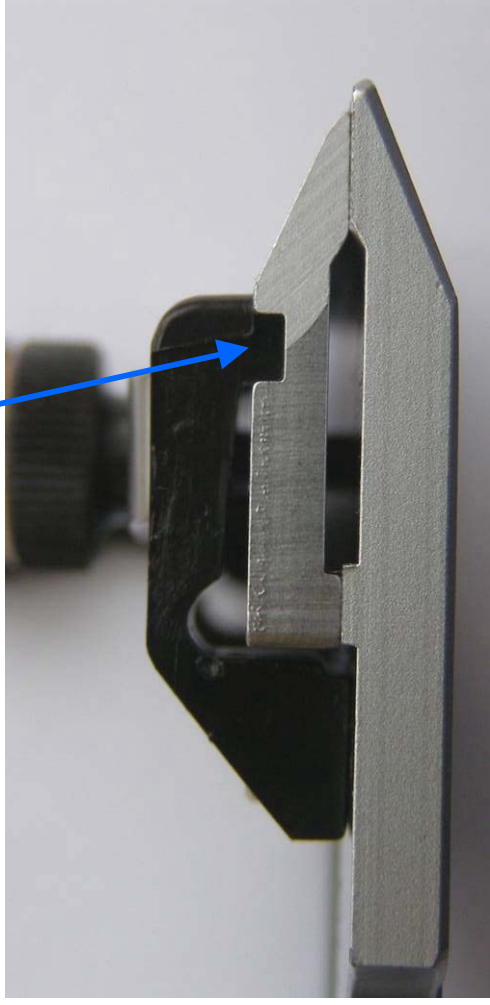
AESCULAP®

Maintenance and care of the

German Red Clipper and its blades



Cutterheads should be checked to make sure that there are no cracks or wear on the plastic pressure plate, as this will lead to poor cutting.



The plate spring guarantees equal pressure between the top and bottom blades to give a constant cutting quality.

AESCULAP®

Maintenance and care of the

German Red Clipper and its blades



The top blade can be removed from the cutterhead by unscrewing the knurled screw.

Use a gentle brush for cleaning.

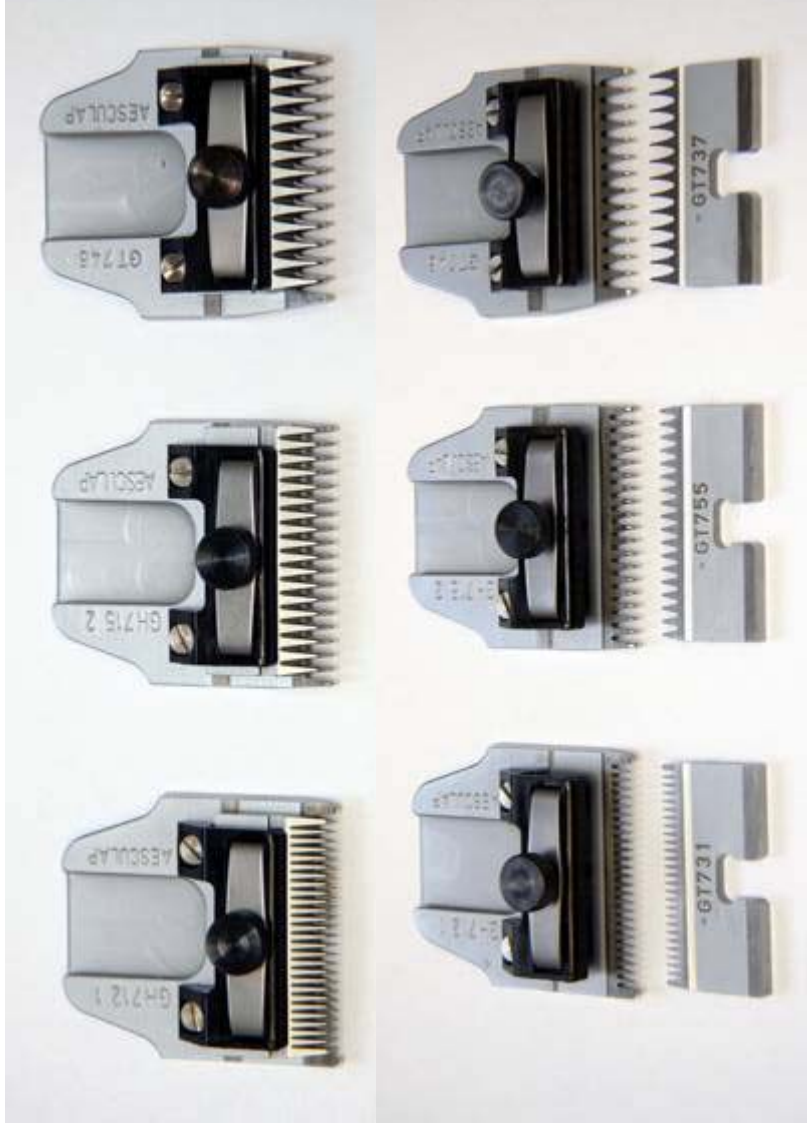
Then lubricate the blade with 2 or 3 drops of Aesculap special oil and assemble.

Blades should be oiled regularly when in use or overheating will occur and cleaning should be done at the end of every day.

It is most important that the correct tension is applied when the cutterhead is re-assembled.

AESCULAP®

Maintenance and care of the German Red Clipper and its blades

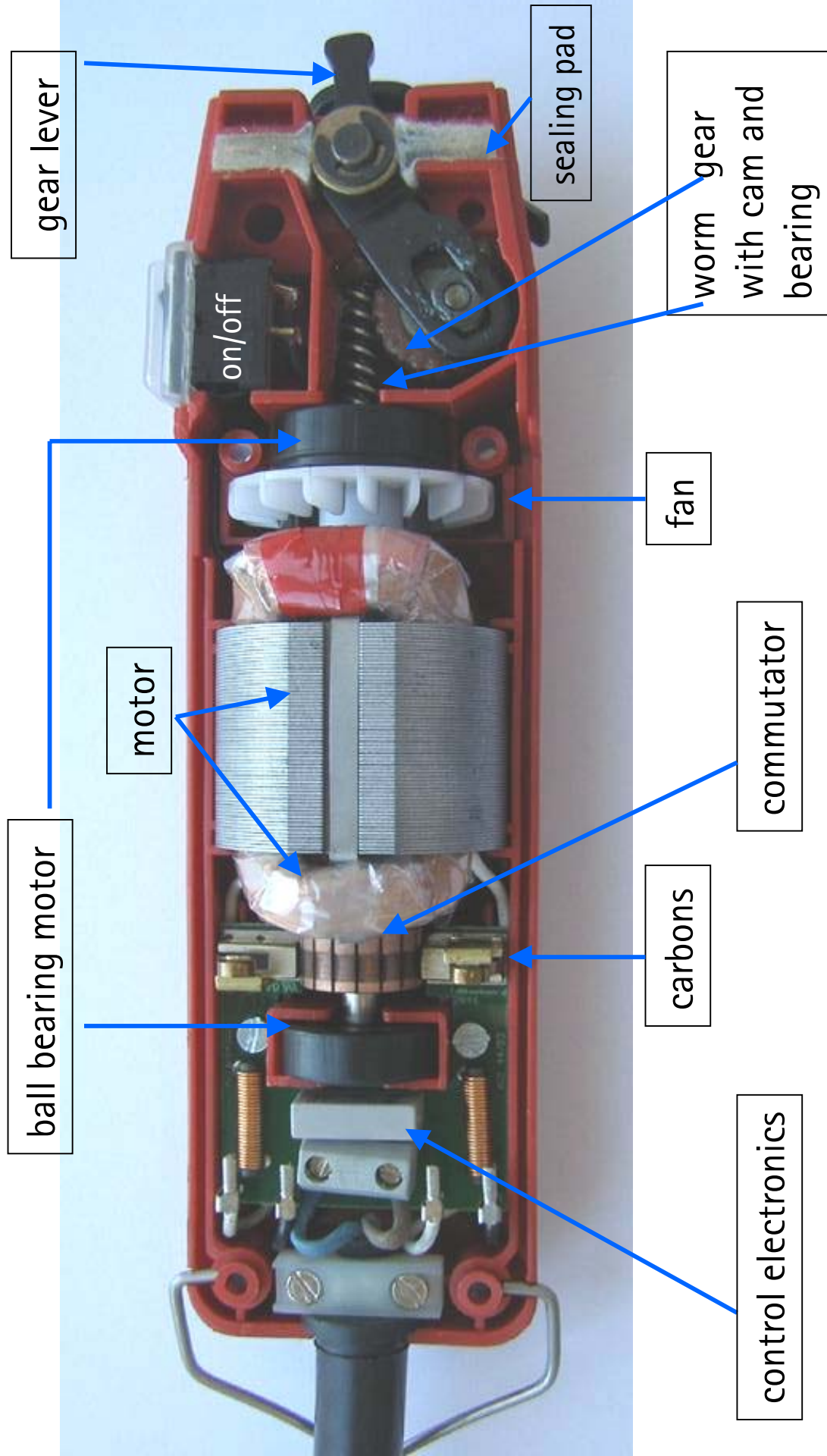


The top and bottom blades match to the respective blade. They should not be interchanged even if they are of the same type.

AESCULAP®

Maintenance and care of the

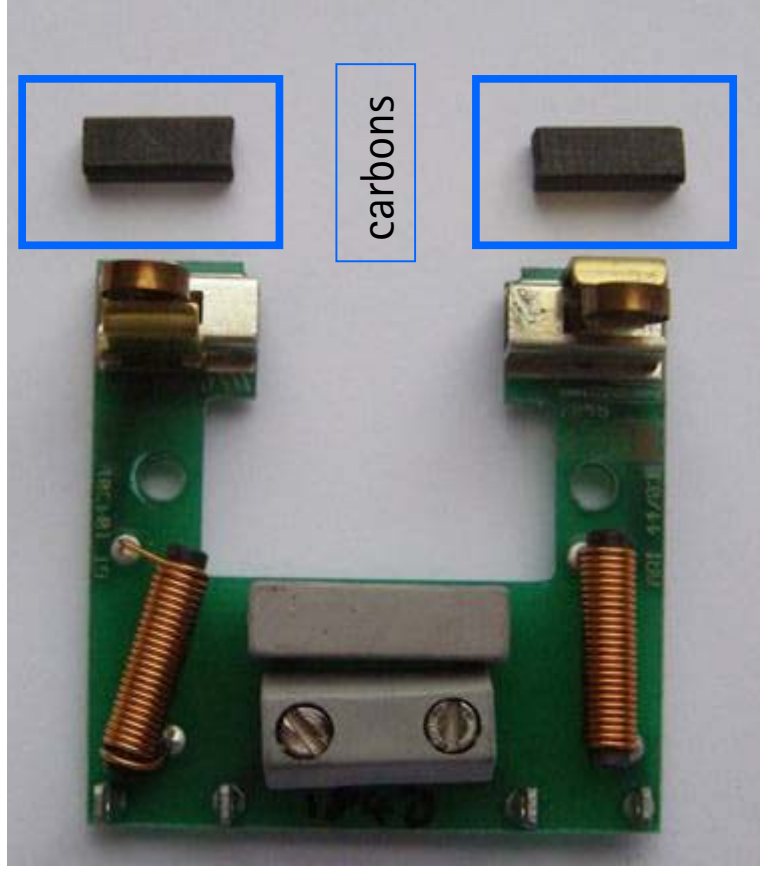
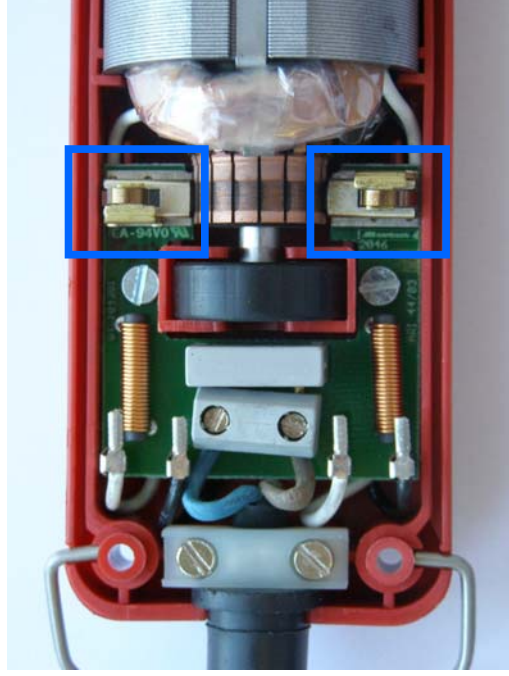
German Red Clipper and its blades



AESCULAP®

Maintenance and care of the

German Red Clipper and its blades



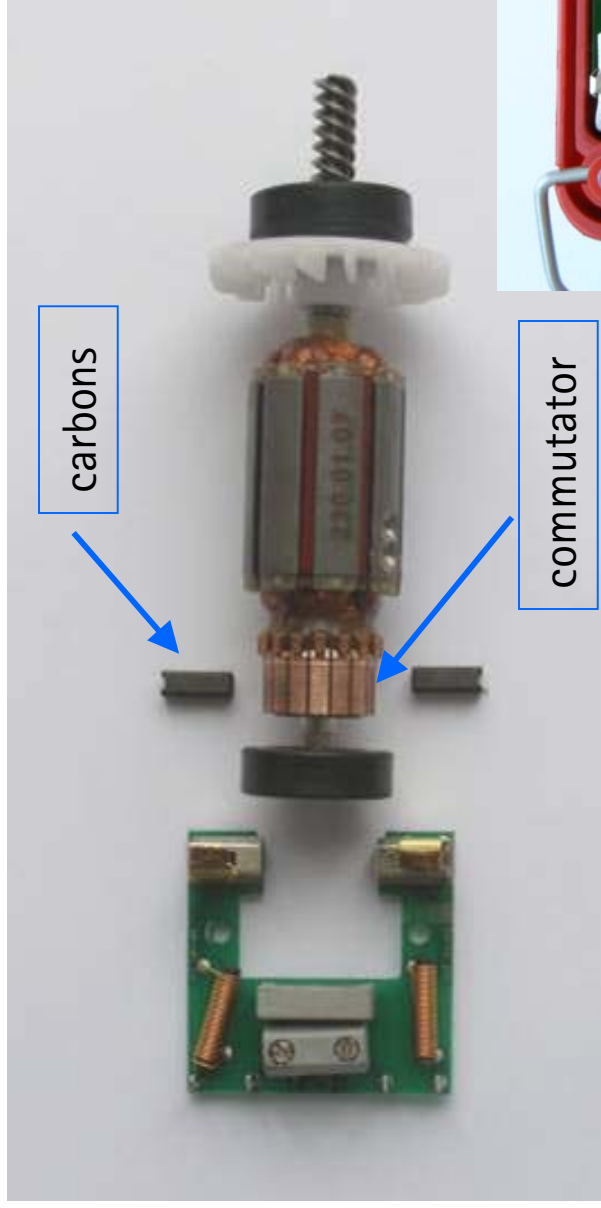
Carbons wear when in use and should be replaced when the old ones wear down to approx. 0.2 inches.

Do not run the clipper out of carbons as this will damage the motor unit!

AESCULAP®

Maintenance and care of the

German Red Clipper and its blades



Carbon's wear when in use and should be replaced when the old ones wear down to approx. 0.2 inches.

Do not run the clipper out of carbons as this will damage the motor unit!

Maintenance and care of the German Red Clipper and its blades



field magnet with ON/OFF switch



armature with fan

The components displayed on this page have to be rarely replaced.

The armature is coiled and produced in a special Aesculap production department.

AESCULAP®

Maintenance and care of the

German Red Clipper and its blades

Do not use the clipper if the ON/OFF switch cover is split as this will cause dog hair to be pulled into the switch and both parts will have to be replaced.

It is most important that worn gear levers are replaced or poor cutting will result.

Greasing of the worm gear – do not overfill gearbox as this will cause grease to enter motor section (only use special Aesculap grease)



AESCULAP®

Maintenance and care of the

German Red Clipper and its blades



A worn gear lever
movement to the

cannot work correctly as it will cause a loss of power and
top blade on the cutterhead.

The result would be poor cutting and sharp blades either not lasting very long or not working.

AESCULAP®

Maintenance and care of the

German Red Clipper and its blades



swallow tail plate

swallow tail



pressure spring



swallow tail lever

The blade is held firmly to the clipper by the interaction of the swallow tail, the pressure spring and the swallow tail lever.

AESCULAP®

Maintenance and care of the
German Red Clipper and its blades

Enjoy your work with the German Red Clipper –
The clipper that works as hard as you do!

